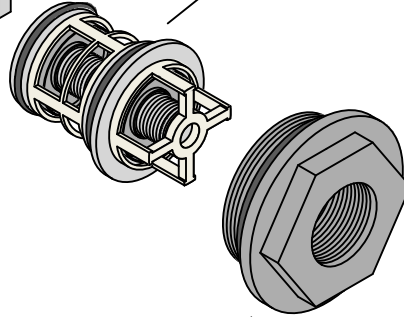


Screw (M6 x 45)
Use 5mm Allen
Torque to 144 in-lbs
or 12 ft-lbs
N/A

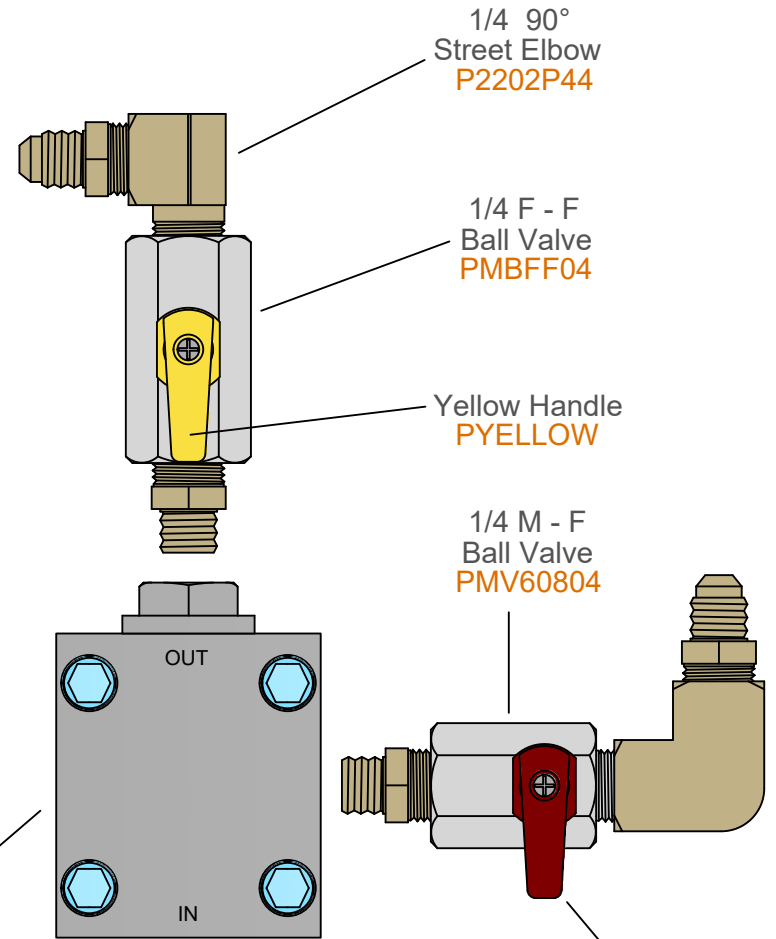
Detergent Pump
W/ Disk, Diaphragm
Vavles, and Hardware
But No Fittings
P6340-BUTLER

Valve Assembly Kit
P77044



Pump Body
Adapter Plug

Detergent Pump
Complete W/ Fittings
KP6340-BUTLER



1/4 90°
Street Elbow
P2202P44

1/4 F - F
Ball Valve
PMBFF04

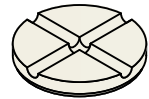
Yellow Handle
PYELLOW

1/4 M - F
Ball Valve
PMV60804

Red Handle
PRED

1/4 X 1/8
Brass Hex Fitting
P216P42

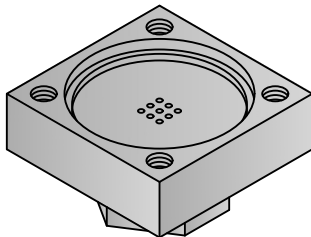
Pump Body
Disk
P660180



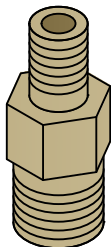
Pump Body
Diaphragm
P700033



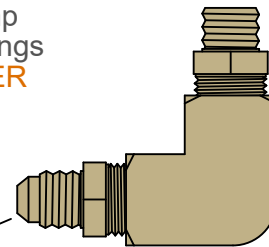
Pump Body
Lower



Pump Adapter
Fitting
P91085



1/4 NPT x 1/4
JIC Fitting
P48F44



1/4 90°
Female Elbow
P2200P44

NOTES:

- * Teflon Tape and Pipe Sealant required for installation of fittings.
- * Do Not Tape or Seal JIC ends.
- * Do Not Tape or Seal ends with O-Rings.

THE BUTLER
CORPORATION

251 Moody St. Ludlow, MA 01056 NATIONWIDE 1-800-535-5025 FAX 1-413-589-9344

DATE: 9/6/2022

DRN BY: MT

DESCRIPTION:

Square Internal Valve Detergent Injection Pump
Active (Jan 2020 - Present)