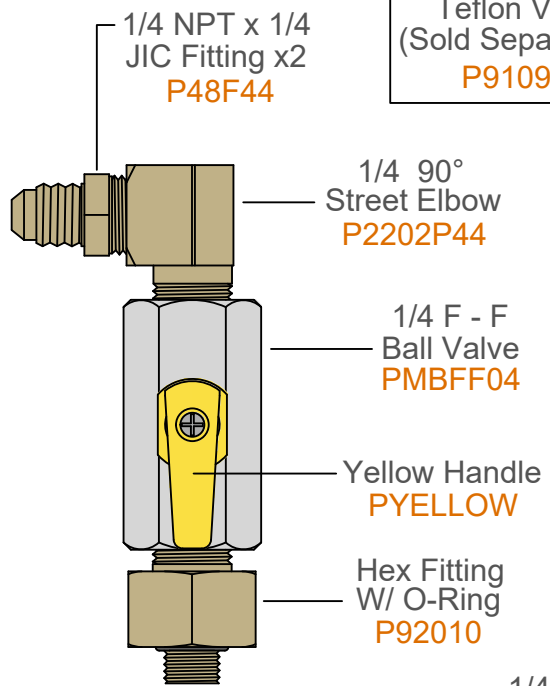
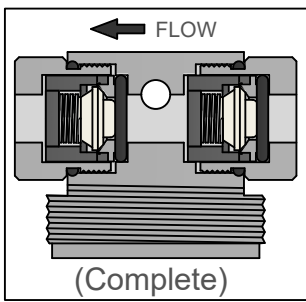


Replacement
Teflon Valve
(Sold Separately)
P91097-2

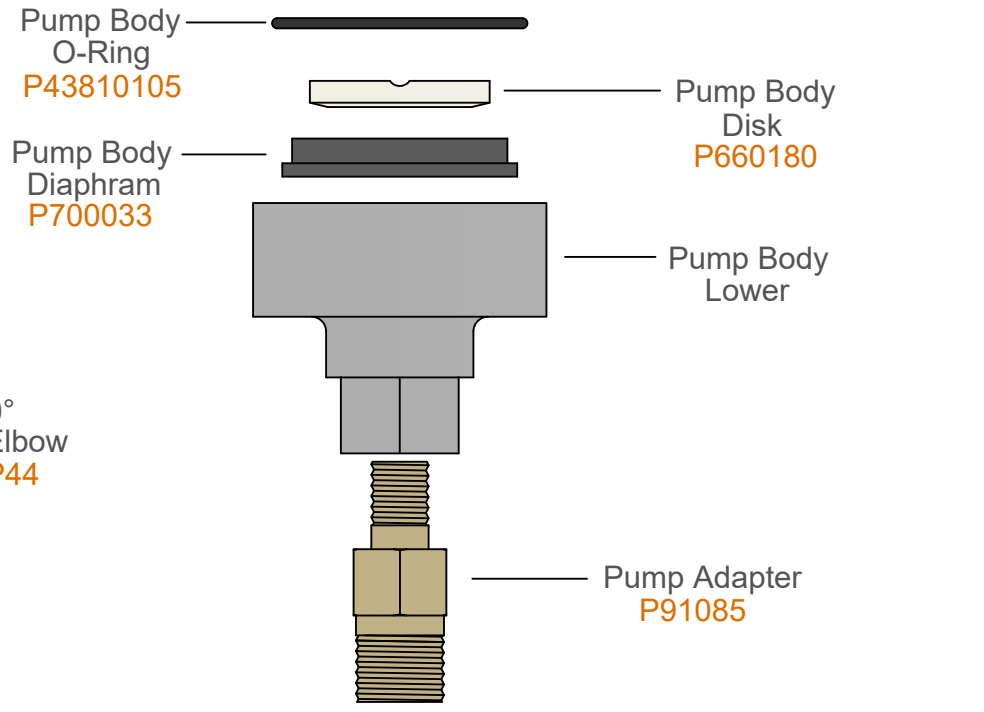
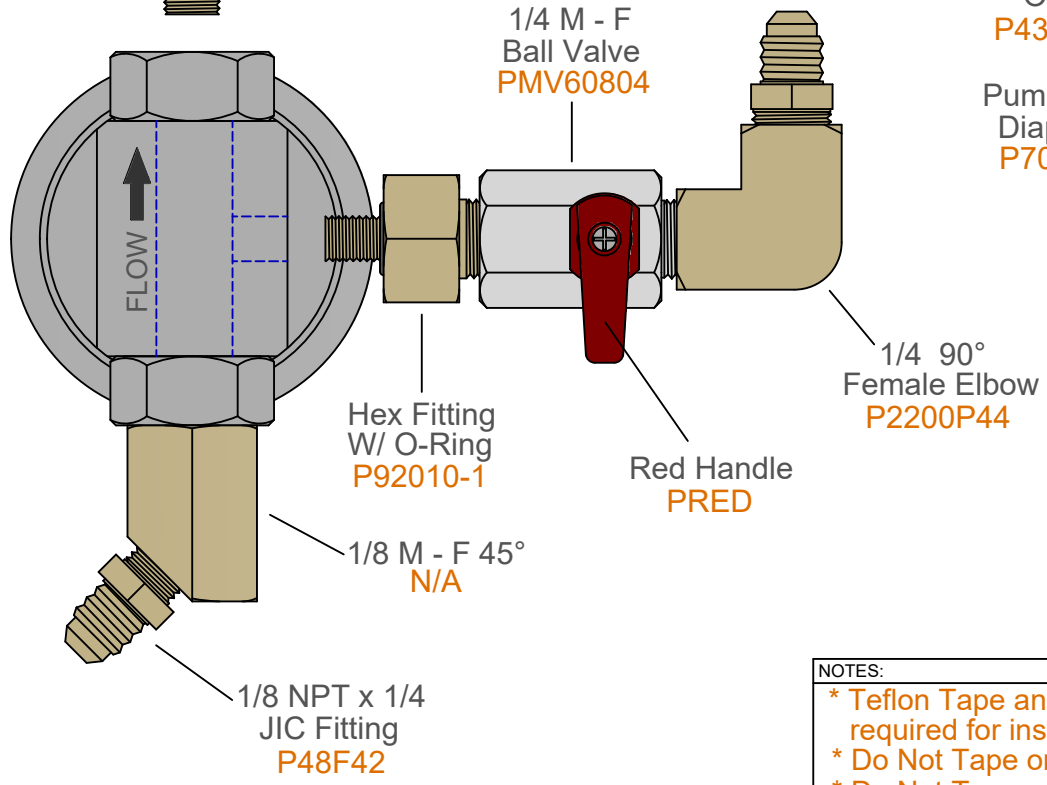
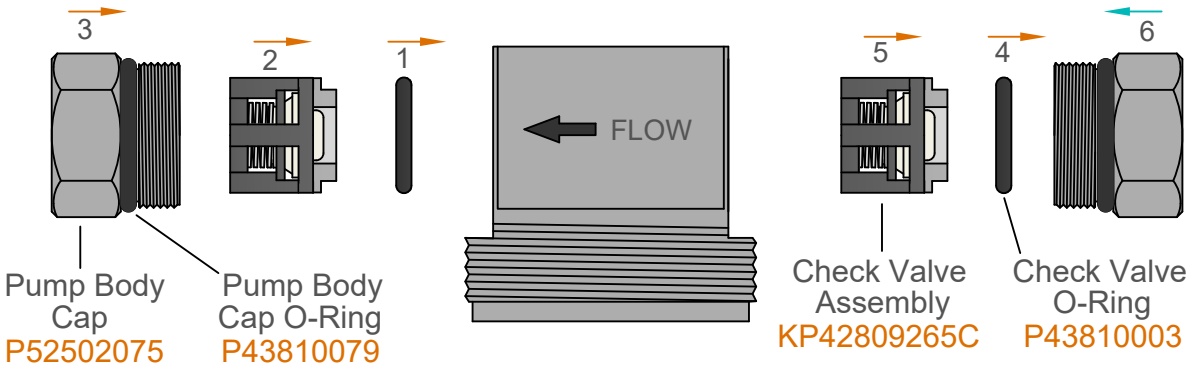
Arrow Side of Flow

- 1 Install O-Ring Into Body
- 2 Install Valve Assembly Into Body
- 3 Tighten Cap Into Body



Opposite Side of Flow

- 4 Install O-Ring Into Cap
- 5 Install Valve Assembly Into Cap
- 6 Tighten Cap Into Body



NOTES:

- * Teflon Tape and Pipe Sealant required for installation of fittings.
- * Do Not Tape or Seal JIC ends.
- * Do Not Tape or Seal ends with O-Rings.

THE Butler CORPORATION
251 Moody St. Ludlow, MA 01056 NATIONWIDE 1-800-535-5025 FAX 1-413-589-9344

DATE: 9/9/2022 DRN BY: MT

DESCRIPTION: Internal Valve Round Body Detergent Injection Pump Active (Prior to July 2007)